

Problem: Vehicle does not react, or reacts poorly to operation by transmitter.

Cause: High-frequency interference occurred near to high-voltage lines, transformers and some types of building.

Action: Avoid these if possible, or choose another place to operate the vehicle.

Action: Avoid these if possible, or choose another place to operate the vehicle.

Problem: Loss of control.

Cause: Another radio control vehicle using the same frequency is operated near your vehicle. **Please Note: do not use two Go Go School Buses or our Fire Engine No. 136 near each other.** Out of sight or the control range of distance. (15 to 20 feet.)

Action: Move to another place where radio frequency interference from another device or vehicle is not present.

For Technical Support:

Call our Technical Service Department
Monday through Friday, 9 a.m. to 5 p.m. (EST)
1-800-TEC-TOYS or 1-800-832-8697
customer_support@enablingdevices.com

Go Go School Bus - #1004

USER'S GUIDE



Enabling Devices

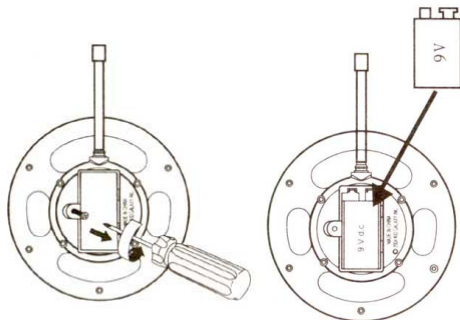
50 Broadway
Hawthorne, NY 10532
Tel. 914.747.3070 / Fax 914.747.3480
Toll Free 800.832.8697
www.enablingdevices.com

A great first remote control!

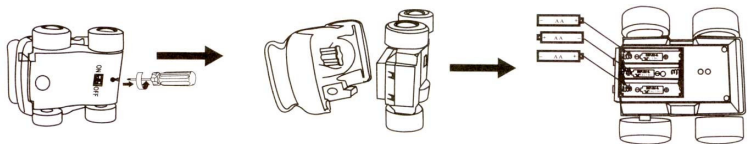
Watch our school bus zoom around when you use our palm disk controller. You also can activate the school bus by using your capability switches (1 or 2). It's soft, safe and loads of fun! *Size: 6½"L x 3¾"W x 5"H. Vehicle requires 3 AA Batteries; Remote requires 1 9-V Battery.*

Operation:

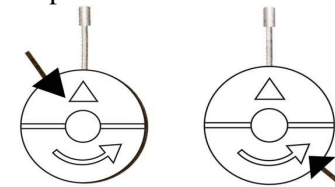
1. To install the batteries for the remote controller, turn the joystick over, remove the small Phillips Head screw from the battery cover then lift cover off. Install one 9 Volt battery making note to follow proper (+) & (-) battery placement. Replace cover and screw. Alkaline batteries are recommended (e.g. Duracell or Energizer brand) for best range of use and performance of this toy. Never mix old and new batteries together or different brands or types together.



2. To install the batteries in the School Bus, using a Philips Head screwdriver unscrew the screw on the bottom of the School Bus, then lift up on the top of the School Bus slightly and slid the cover off towards the back of the School Bus. Install three AA batteries following proper (+) & (-) battery placement. As mentioned earlier follow battery recommendation. Replace top of the School Bus and screw. Turn the School Bus's ON/OFF switch located on the bottom of the School Bus to ON.



3. Place the remote in the remote holder base, and press down to secure Velcro. This remote controller allows the user to move the School Bus forward, and turn in a counterclockwise direction. Slight pressure to the control pad in either direction will drive the School Bus in that direction. Once you release pressure on the pad the School Bus will stop.



FORWARD: Push upper arrow
TURN: Push lower arrow

4. When you are finished using the School Bus turn the ON/OFF switch on the School Bus to OFF, this will help conserve battery power. The remote controller does not have an ON/OFF switch, when not in use make sure noting is pressing the control pad, as this will drain the batteries in the controller regardless if the School Bus is turned ON. If the School Bus is not going to be used for a long time, e.g. one month or longer, we recommend removing the batteries from the School Bus and controller during storage to prevent battery drain or leakage, which can cause damage to the School Bus and controller.

Troubleshooting:

Problem: The School Bus is not running.

Action: Make sure batteries in the School Bus and the controller are fresh and installed following proper (+) & (-) battery placement.

Problem: The School Bus is running intermittently.

Action: Replace batteries in the remote control and School Bus. Weak batteries will severely limit the normal transmitting range of your remote control.

(Troubleshooting continued on back page)